

Wine Server Brass Overlay Panel


After I completed the wine server, I decided it needed one last touch. To protect the back of the door from stains and spills, I attached the painted brass panel shown in the photo at right.

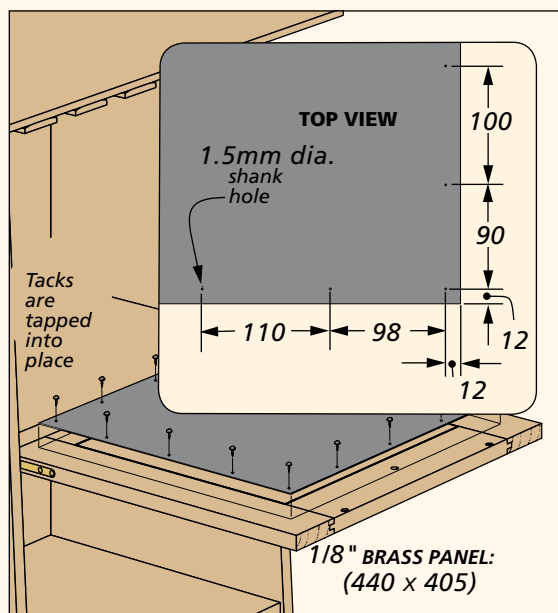
Adding the plate was pretty straightforward. I started with an oversized brass sheet and cut it to size on the table saw using a carbide-tipped blade. To make cutting the brass a little easier, I fastened it to a piece of 6mm Masonite with double-sided tape. To soften the freshly cut edges, you can touch them up with 220-grit sandpaper. Then it's just a matter of drilling holes for the tacks. A backing board with a fence attached, placed on the table of your drill press, keeps the holes a uniform distance from the edge. Take care when you drill the brass, sometimes the brass plate can get caught by the drill and "run" up the shaft of the drill bit. Firm thumb pressure applied to the brass plate near the entry point of the drill will reduce the chance of this happening.

To prepare the brass panel for painting I scuffed the surface with an abrasive pad on my random orbit sander. A rectangular "Scotch-Brite" kitchen scour pad clipped onto the base of a palm sander will also work fine. After that, you'll need to clean the surface with lacquer thinner. To match the finish of the strap hinges and pull on the outside of the server, I used a textured "hammertone" paint.

Hammertone paints dry to create a dimpled effect on the painted surface (similar to the finish on a Kodak "Box Brownie" camera). The dimpled effect is created by the separation of several paint constituents as the surface dries. It is best to spray a hammertone finish in place, brushing the finish produces second grade results.

Hammertone spray cans come in an assortment of colours and are available from most paint suppliers (Bunnings has a selection of hammertone spray paints but not black!) Black looks best on the wine server.

Lacman Paints Australia can supply a black hammertone paint in a spray can. 



SOURCES

The hammered black paint from Lacnam Paints Australia. 78-80 Mandoon Road, Girraween, Sydney N.S.W. 2145 Phone 9688 1999. To locate a local supplier of Lacnam paints visit: www.lacnam.com.au and click on the site nearest to you.