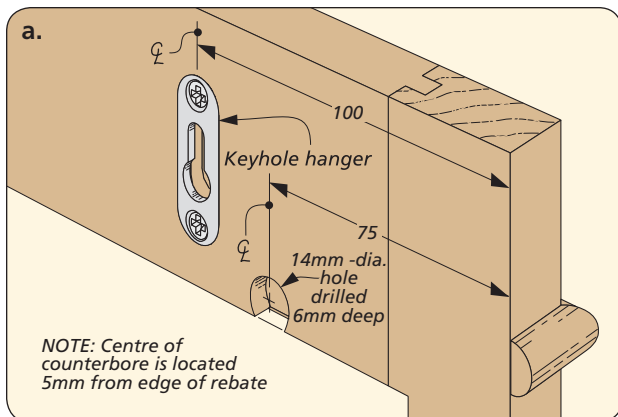
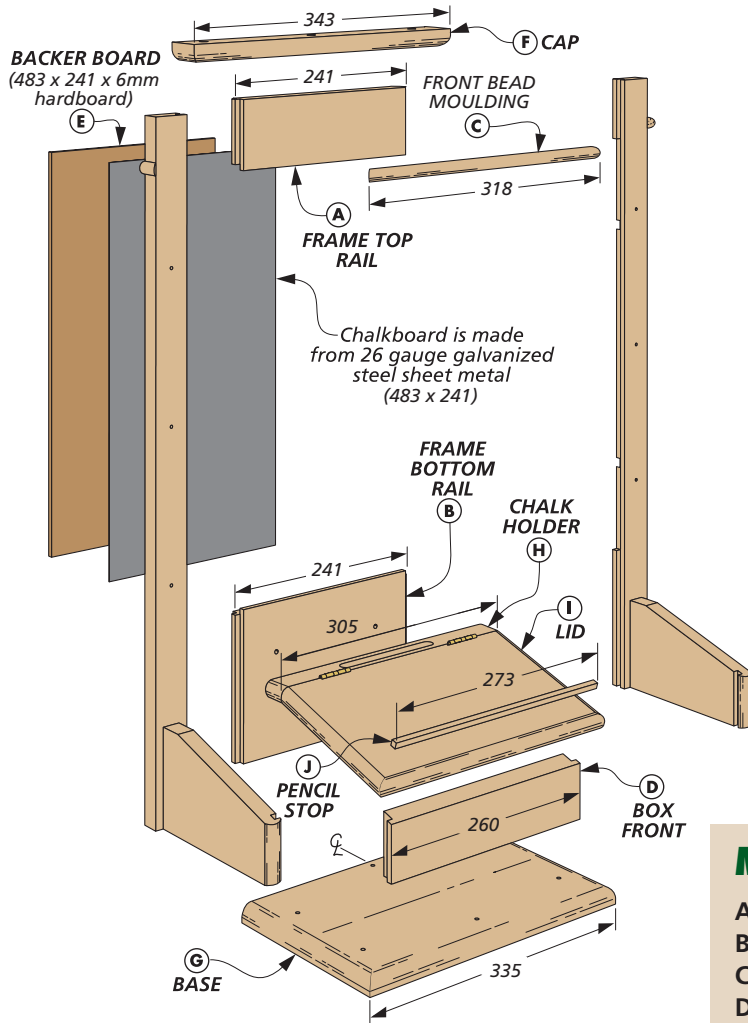


Online extras

slimline Message Centre

This narrow version of the message centre is just the right size for any corner of the house.



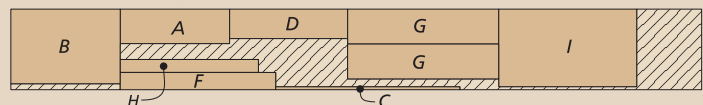
▲ The narrow version of the message centre includes all the convenient features of its bigger brother while taking up only about half the amount of wall space.

The message centre that is featured in issue 50 offers plenty of room for posting lots of messages — provided you have the wall space for it. If you don't, this narrow version might be more appropriate. Everything about the construction is identical to the larger version. The only difference is that the whole thing is 150mm narrower overall. (The height stays the same.) The drawing at left and the materials list below gives the dimensions for the parts that are affected by the change. The dimensions for the other parts are the same as the full-size version.

Materials List, Supplies & Cutting Diagram

| | |
|-------------------------------------|------------------|
| A Frame Top Rail (1) | 241 x 75 x 18 |
| B Frame Bottom Rail (1) | 241 x 165 x 18 |
| C Bead Moulding (1) | 420 x 12 x 6rgh |
| D Box Front (1) | 260 x 75rgh x 18 |
| E Backer Board (1) | 483 x 241 x 6mm |
| F Cap (1) | 343 x 38 x 18 |
| G Base (1) | 335 x 210 x 18 |
| H Chalk Holder (1) | 305 x 28 x 18 |
| I Lid (1) | 305 x 271 x 18 |
| J Pencil Stop (1) | 273 x 6 x 6 |
| • (1) 482 x 241 -26 ga. sheet metal | |

1500 x 190 x 18 Maple or Hoop Pine (2.9 Bd Ft)



ALSO NEEDED: 600 x 600 sheet of 6mm hardboard