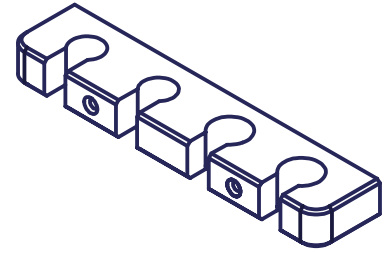
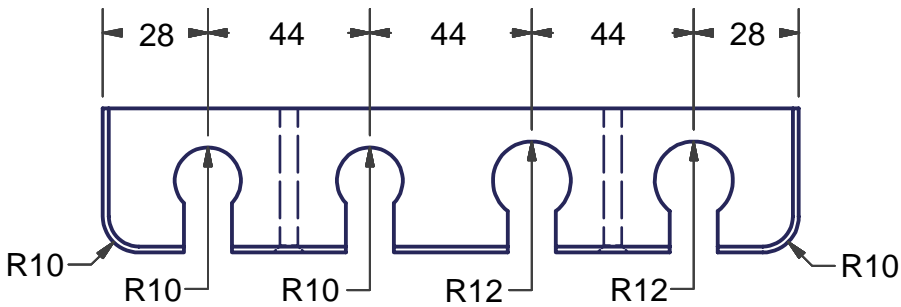


Tool Holders

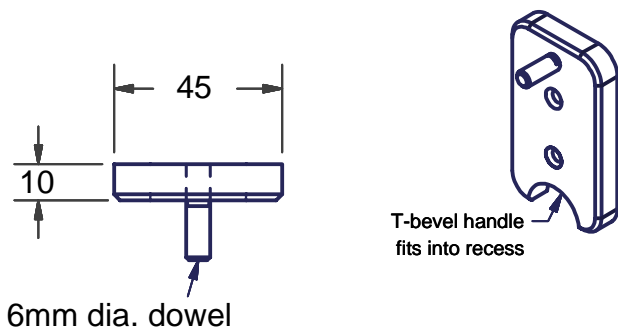
WALL CABINET - AUSTRALIAN WOODSMITH No. 30

Copyright 2002, August Home Publishing Company.

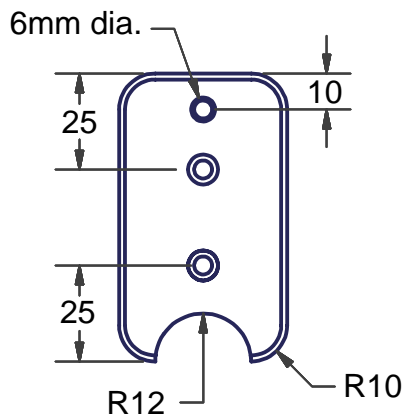
All rights Reserved



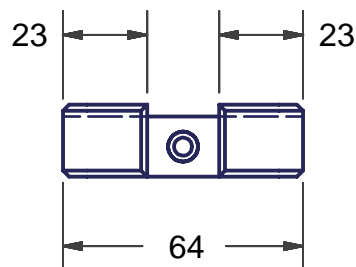
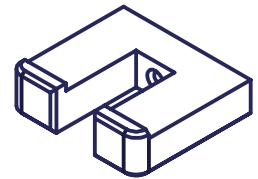
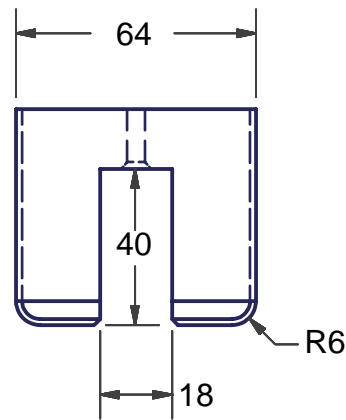
Chisel Rack



6mm dia. dowel



T-Bevel Holder



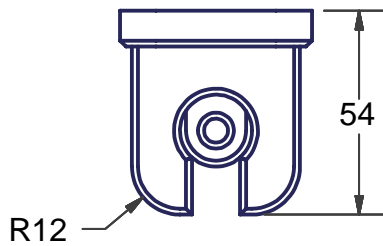
Marking Gauge Holder

Tool Holders

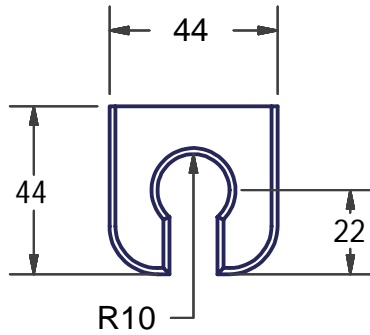
WALL CABINET - AUSTRALIAN WOODSMITH No. 30

Copyright 2002, August Home Publishing Company.

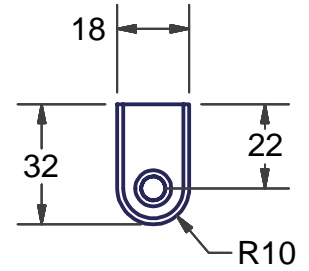
All rights Reserved.



Top View

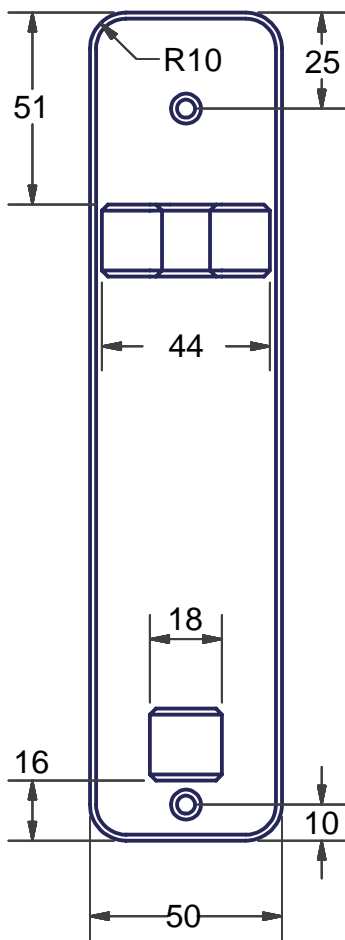


**Ferrule Bracket
(Detail)**

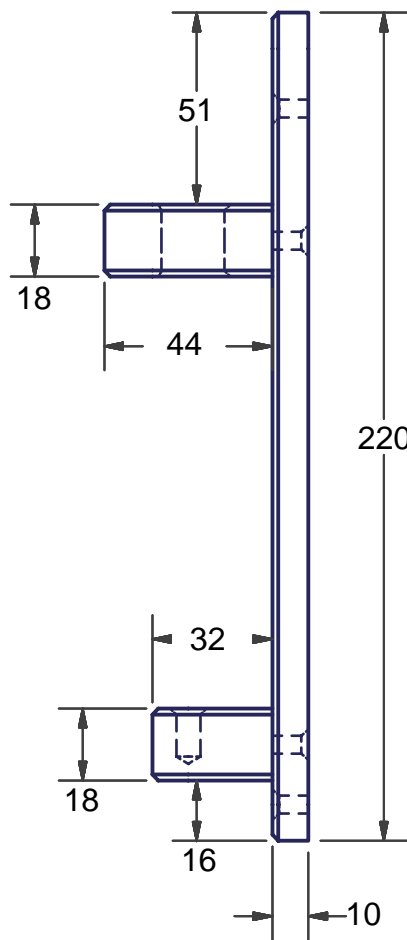


6mm-dia. hole,
12mm deep

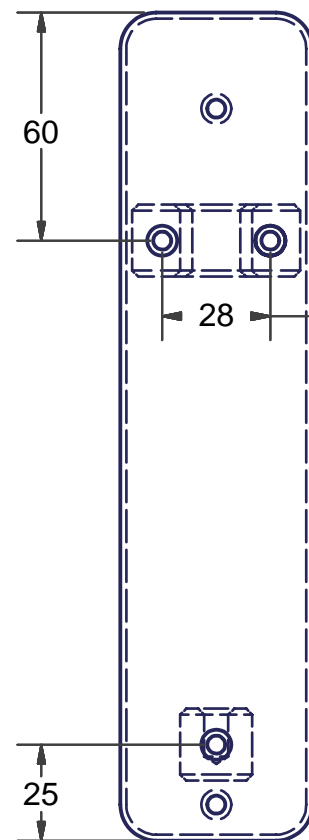
**Point Guard
(Detail)**



Front View



Side View



Back View

Scratch Awl Holder

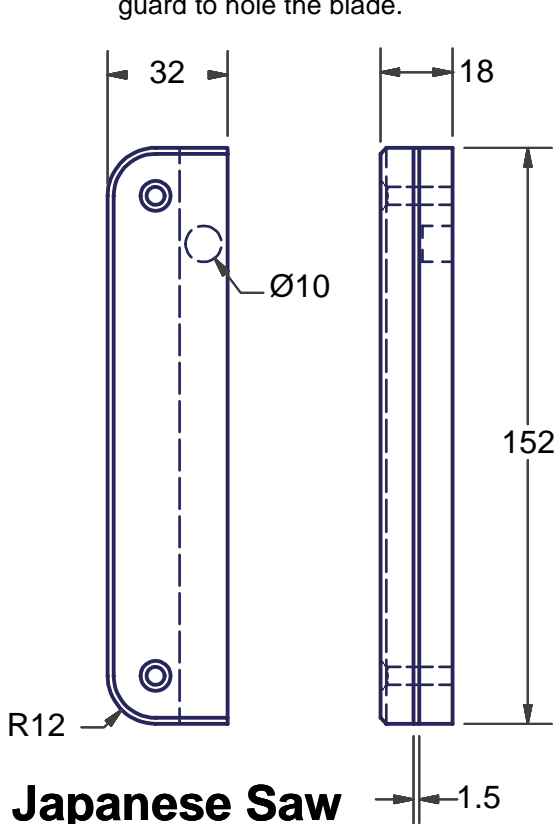
Tool Holders

WALL CABINET - AUSTRALIAN WOODSMITH No. 30

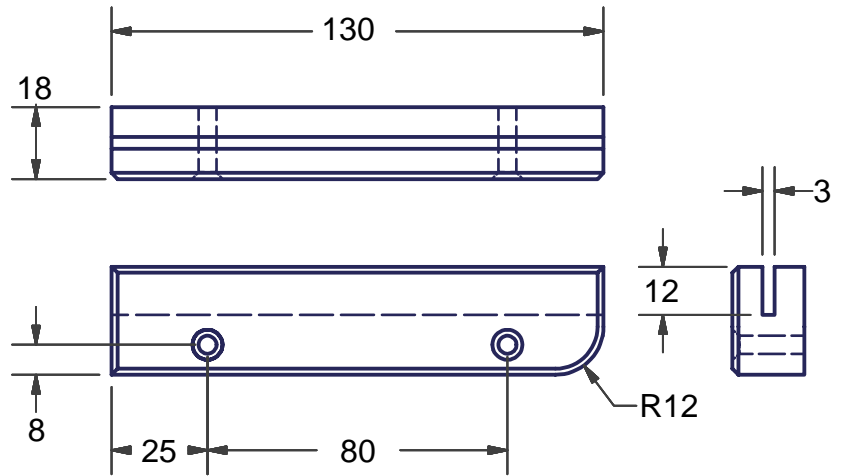
Copyright 2002, August Home Publishing Company.

All rights Reserved

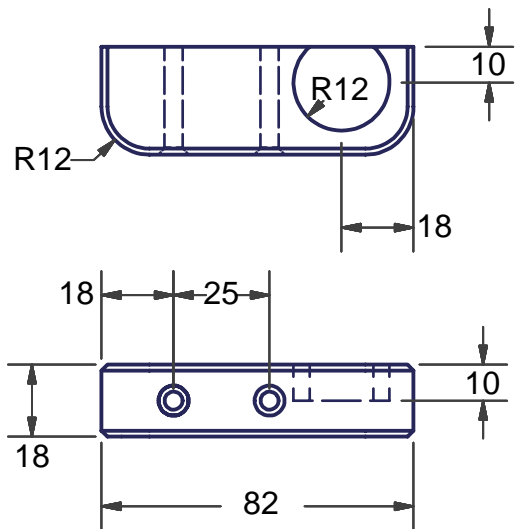
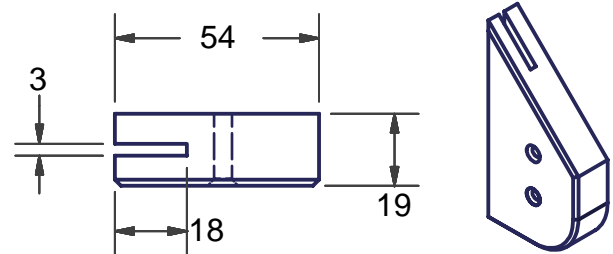
Note: A 10mm-dia. rare earth magnet can be counterbored into the guard to hole the blade.



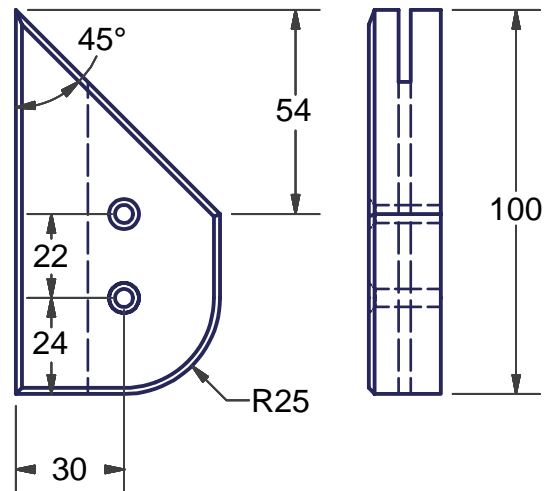
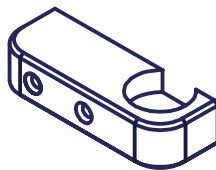
**Japanese Saw
Blade Guard**



Square Holder



**Japanese Saw
Handle Base**



**Combination Square
Holder**