



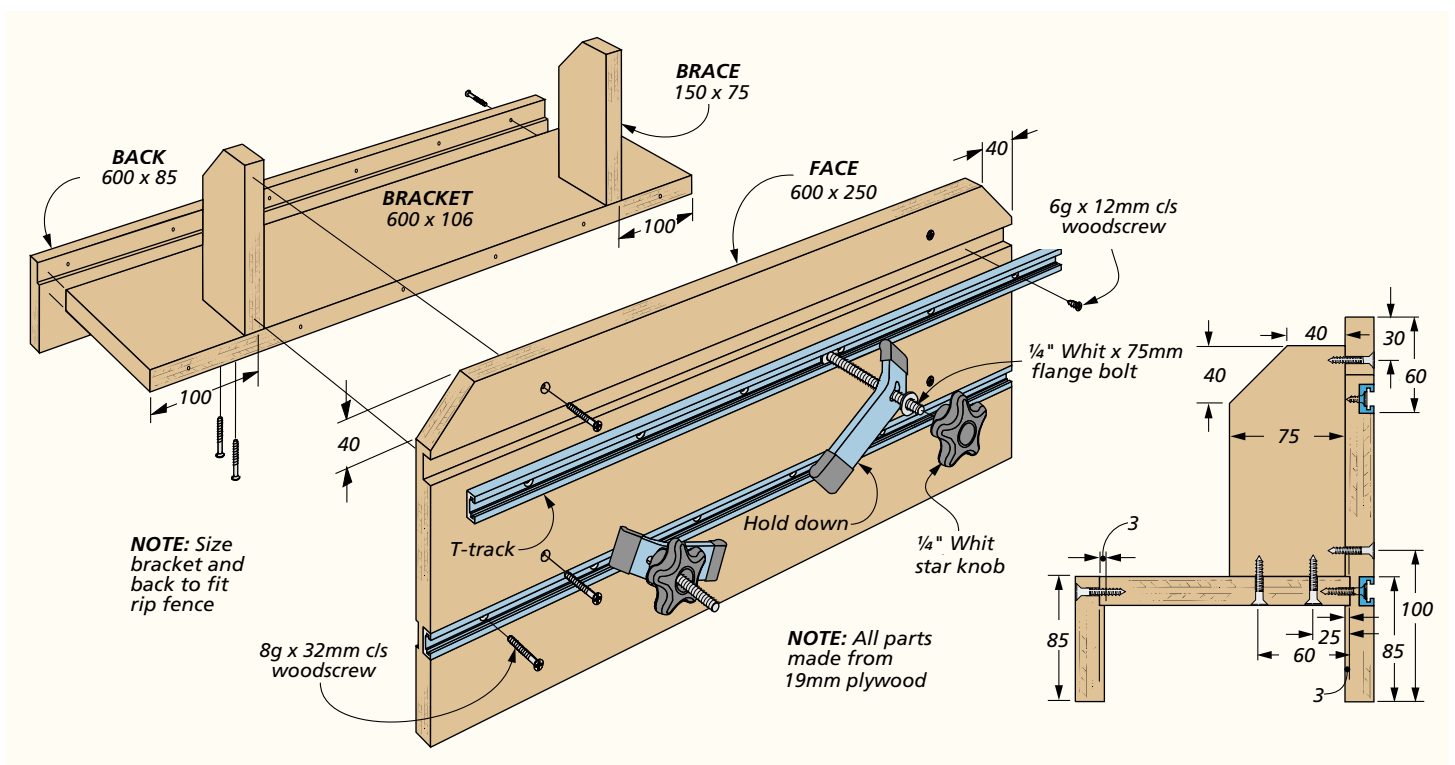
## SLIDING TALL FENCE

There are several tasks on the table saw that are just safer to perform using a tall fence. Being able to clamp the workpiece to the fence adds another measure of safety.

That's why I built the sliding tall fence you see in the photo left. It's sized to fit snugly over my existing rip fence, but still glide along the fence easily. I've found that this fence is a great help when cutting slots for splines (main photo), tenons and a number of other cuts.

As you can see in the drawings below, there are a pair of T-tracks and hold downs on the face of the fence to hold a workpiece in position. Braces attached to the horizontal bracket help hold the face of the fence perfectly square to the saw table.

I provided measurements, but you'll need to size the bracket to fit the rip fence on your saw. Then it's just a matter of cutting the face to size and adding trenches for mounting the T-track. When that's complete, you can attach the face.



**SAFETY IN THE WORKSHOP** Safety devices, such as riving knives, guards on table saws and guards over router bits have been deliberately left out of the line drawings in Australian Woodsmith projects in order to make them easier to follow. It goes without saying that where safety devices have been supplied by the manufacturers you should use them. We encourage the use of push sticks as good work practice.

Exercise vigilance and the greatest of care when using power tools, whether stationary or portable. Keep all your tools sharp and well maintained. Wear protective eyewear, a dust mask and a hearing protector when appropriate. By limiting distractions and developing safe work practices you will go a long way to avoiding workshop accidents. So, work safe fellow woodworkers. -Editor